

Product Catalogue

LUMON™ SYSTEM

COMPACT & LIGHTWEIGHT
ELECTRICAL IMPEDANCE TOMOGRAPHY (EIT)
SYSTEM



sentec
Advancing Noninvasive
Patient Monitoring

WELCOME

CONTENT

LUMON™ MONITOR 4

LUMON™ SYSTEM FOR ADULTS / CHILDREN

LUMON™ SYSTEM – ADULTS / CHILDREN CONFIGURATION (LMS-A) 5
EIT STARTER SETS FOR ADULTS / CHILDREN 6
SENSORBELTCONNECTOR 7
SENSORBELTS 8
CONTACTAGENT KITS 9

LUMON™ SYSTEM FOR NEONATES / INFANTS

LUMON™ SYSTEM – NEONATES / INFANTS CONFIGURATION (LMS-N) 10
EIT STARTER SETS FOR NEONATES / INFANTS 11
LUMON™ CONNECTOR 12
LUMON™ BELTS 13
NEOCONTACTAGENT KIT 14

MANUALS

DOCUMENTS FOR THE LUMON™ SYSTEM 15

ACCESSORIES

TROLLEY FOR THE LUMON™ MONITOR 15
CARRY BAG FOR THE LUMON™ SYSTEM 16
EIT ADVANCED INTERFACE SET 16

KEY SPARE PARTS

SPARE PARTS 16

LuMon™ Monitor

PART NUMBERS: “2ST200-100-01”, “2ST200-100-02”

4 |



LuMon™ Monitor – Adult
(Adults / Children configuration)



LuMon™ Monitor – Neo
(Neonates / Infants configuration)

COMPACT & LIGHTWEIGHT EIT MONITOR

Radiation-free lung function monitor being available in a configuration for Adults / Children and a configuration for Neonates / Infants

KEY SPECIFICATIONS

- **Physical characteristics:**
 - Weight: < 4kg (< 8.8 lbs)
 - Size: 30.8 cm x 21.8 cm x 10.1 cm (12.1” x 8.6” x 4.0”)
 - Portable: Integrated carrying handle
 - Mountable on SenTec’s Trolley for the LuMon™ Monitor and most VESA 75x75 mounts (e.g. roll stands, wall mounts / railings)
- **Interfaces:**
 - Belt connector port (isolated with 2 MOPP from the other interface ports)
 - 2 USB 2.0 Standard-A ports (Type A) - only supporting USB memory devices
- **TFT touch display**
- **Rechargeable, sealed Lilon Battery**

INCLUDES

- Quick Reference Guide for the LuMon™ System (country-specific language(s))
- User’s Guide for the LuMon™ System (country-specific language(s))
- One LuMon™ VESA Screw Set
- One Power Cord for the LuMon™ Monitor (country-specific)

Part Number	Product	Use for
2ST200-100-01	LuMon™ Monitor - Adult	Adults / Children
2ST200-100-02	LuMon™ Monitor - Neo	Neonates / Infants

Note:

- For additional information please refer to the Specification Sheets for the LuMon™ System (2ST200-113 (LMS-A) and 2ST200-114 (LMS-N))

LuMon™ System – Adults / Children configuration (LMS-A)

PART NUMBERS: “2ST200-A03”, “2ST200-A04”, “2ST200-A05”, “2ST200-A06”



| 5

EIT SYSTEM FOR ADULTS & CHILDREN

The LuMon™ System is a compact and lightweight EIT system providing noninvasive monitoring of patient respiration as well as variations of regional air content within a cross-section of the patient's lungs. The **Adults / Children configuration** of the LuMon™ System (LMS-A) is intended for patients, whose underbust girth is within approximately 76 to 128 cm. The LMS-A comprises LuMon™ Monitors with Adults / Children configuration supporting adult-mode only, SensorBeltConnectors to link SenTec's patented, textile SensorBelts available in four sizes to the LuMon™ Monitor, as well as SenTec's ContactAgent serving as a medium for impedance coupling between a SensorBelt and the patient's skin.

One LMS-Ax comprises the following main components:

- LuMon™ Monitor - Adult
- SensorBeltConnector
- One EIT Starter Set Ax for Adults / Children

The LMS-A is available in four configurations:

Part Number	Product	Content
2ST200-A03	LuMon™ System A3	1 LuMon™ Monitor – Adult 1 SensorBeltConnector 1 EIT Starter Set A3
2ST200-A04	LuMon™ System A4	1 LuMon™ Monitor – Adult 1 SensorBeltConnector 1 EIT Starter Set A4
2ST200-A05	LuMon™ System A5	1 LuMon™ Monitor – Adult 1 SensorBeltConnector 1 EIT Starter Set A5
2ST200-A06	LuMon™ System A6	1 LuMon™ Monitor – Adult 1 SensorBeltConnector 1 EIT Starter Set A6

Note:

- For details on contained items see corresponding products / part numbers.
- For additional information please refer to the Specification Sheet for the LuMon™ System's Adults / Children configuration (2ST200-113).

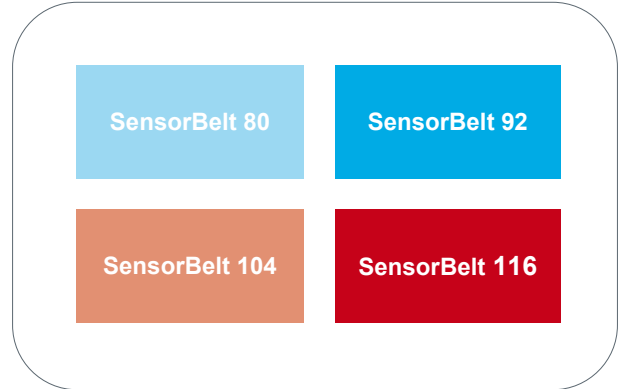
EIT Starter Sets for Adults / Children

PART NUMBERS: "1ST100-A03", "1ST100-A04", "1ST100-A05", "1ST100-A06"

6 |



ContactAgent Kit



SensorBelts

SET OF EIT DISPOSABLES FOR ADULTS & CHILDREN

Four Starter Sets are available for Adults / Children

Part Number	EIT Starter Set	Content
1ST100-A03	EIT Starter Set A3	1 ContactAgent Kit 4 SensorBelts (sizes 80, 92, 104, 116)
1ST100-A04	EIT Starter Set A4	1 ContactAgent Kit 2 SensorBelts (selectable sizes)
1ST100-A05	EIT Starter Set A5	1 ContactAgent-II Kit 4 SensorBelts (sizes 80, 92, 104, 116)
1ST100-A06	EIT Starter Set A6	1 ContactAgent-II Kit 2 SensorBelts (selectable sizes)

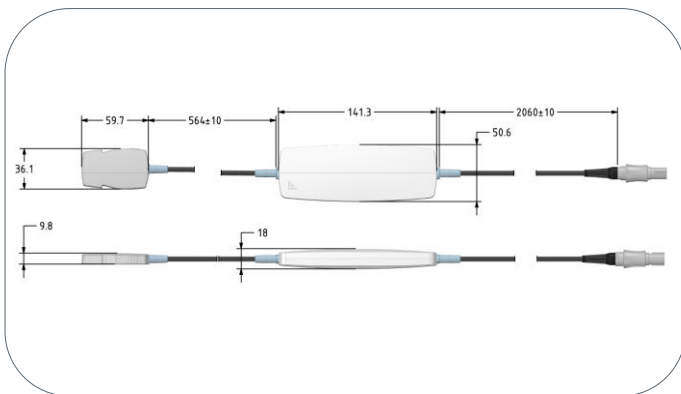
Note:

- For details on contained items see corresponding products / part numbers.
- ContactAgent Kit contains six spray cans (pressurized containers) and therefore is - according to IATA as well as ADR / SDR regulations - considered as dangerous goods. Costs related to handling of dangerous goods during shipment (in particular for airfreight) may arise.

SensorBeltConnector

PART NUMBER: "1ST101-100"

| 7



CONNECTOR CABLE TO LINK SENSORBELTS TO LUMON™ MONITORS WITH ADULTS / CHILDREN CONFIGURATION

Just a connector cable, but with plenty of cutting-edge technology inside

- Reusable
- Physical characteristics:
 - Weight: approximately 200 g
 - Length of cable approximately 2.5 m

Part Number

Product

Content

1ST101-100

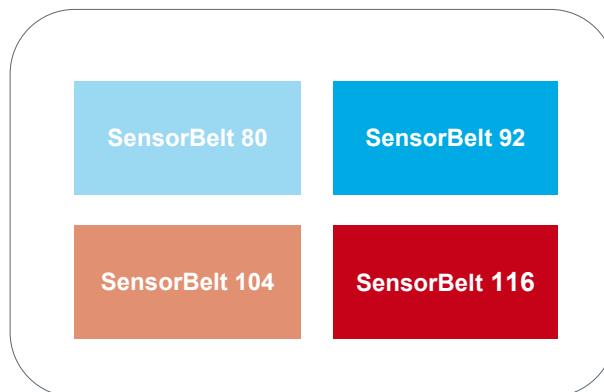
SensorBeltConnector

1 SensorBeltConnector

SensorBelts

PART NUMBERS: "1ST203-100", "1ST204-100", "1ST206-100", "1ST207-100"

8 |



PATENTED, TEXTILE EIT BELTS FOR ADULTS / CHILDREN

Its oblique design makes the SensorBelts follow the movement of the ribs without restricting breathing, which would be particularly undesirable in patients suffering from respiratory insufficiency.

- Gentle, adhesive-free belt / skin interface
- Easy to use
- Available in four different sizes
- For single patient use (can be used up to 72 hours)
- Non-sterile
- 32 electrodes

Part Number	Product (content)	Underbust girth (cm)
1ST203-100	SensorBelt 80 (4 belts)	76-86
1ST204-100	SensorBelt 92 (4 belts)	86-98
1ST206-100	SensorBelt 104 (4 belts)	98-112
1ST207-100	SensorBelt 116 (4 belts)	112-128

ContactAgent Kits

PART NUMBERS: "1ST224-100", "1ST226-100"



| 9

CONTACT MEDIUM FOR TEXTILE EIT BELTS

The ContactAgent serves as a medium for impedance coupling between SenTec's textile EIT belts and the patient's skin.

- Recommended for adults & children
- To be used on intact skin only
- Skin friendly & easy to apply
- Can be used for up to 30 consecutive days
- Non-sterile
- Spray can content: 100ml

Part Number	Product	Content
1ST224-100	ContactAgent Kit	6 spray cans 6 measurement tapes
1ST226-100	ContactAgent-II Kit	6 spray cans 6 measurement tapes

Note:

- ContactAgent Kit contains six spray cans (pressurized containers) and therefore is - according to IATA as well as ADR / SDR regulations - considered as dangerous goods. Costs related to handling of dangerous goods during shipment (in particular for airfreight) may arise.

LuMon™ System – Neonates / Infants configuration (LMS-N)

PART NUMBERS: “2ST200-N01”, “2ST200-N02”, “2ST200-N03”

10 |



EIT SYSTEM FOR NEONATES & INFANTS

The LuMon™ System is a compact and lightweight EIT system providing noninvasive monitoring of patient respiration as well as variations of regional air content within a cross-section of the patient's lungs. The **Neonates / Infants configuration** of the LuMon™ System (LMS-N) is intended for patients, whose underbust girth is within approximately 17 to 52 cm. The LMS-N comprises LuMon™ Monitors with Neonates / Infants configuration supporting neonatal-mode only, LuMon™ Connectors to link SenTec's patented, textile LuMon™ Belts available in seven sizes to the LuMon™ Monitor, as well as SenTec's NeoContactAgent serving as a medium for impedance coupling between a LuMon™ Belt and the patient's skin.

One LMS-Nx comprises the following main components:

- LuMon™ Monitor - Neo
- LuMon™ Connector
- One EIT Starter Set Nx for Neonates / Infants

The LMS-N is available in three configurations:

Part Number	Product	Content
2ST200-N01	LuMon™ System N1	1 LuMon™ Monitor – Neo 1 LuMon™ Connector 1 EIT Starter Set N1
2ST200-N02	LuMon™ System N2	1 LuMon™ Monitor – Neo 1 LuMon™ Connector 1 EIT Starter Set N2
2ST200-N03	LuMon™ System N3	1 LuMon™ Monitor – Neo 1 LuMon™ Connector 1 EIT Starter Set N3

Note:

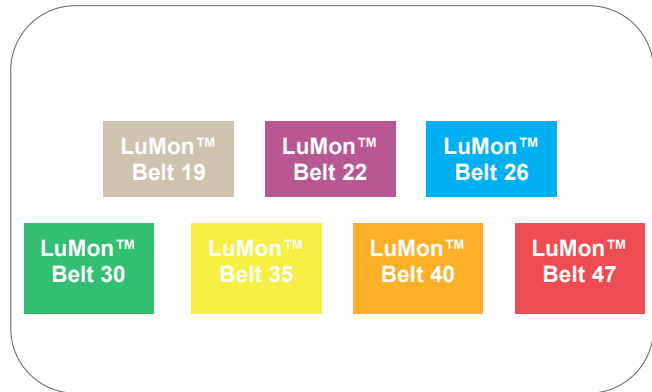
- For details on contained items see corresponding products / part number.
- For additional information please refer to the Specification Sheet for the LuMon™ System's Neonates / Infants configuration (2ST200-114).

EIT Starter Sets for Neonates / Infants

PART NUMBERS: "1ST100-N01", "1ST100-N02", "1ST100-N03"



NeoContactAgent Kit



LuMon™ Belts

SET OF EIT DISPOSABLES FOR NEONATES & INFANTS

Three Starter Sets are available for Neonates / Infants

Part Number	EIT Starter Set	Content
1ST100-N01	EIT Starter Set N1	1 NeoContactAgent Kit 4 LuMon™ Belts (sizes 19, 22, 26, 30)
1ST100-N02	EIT Starter Set N2	1 NeoContactAgent Kit 4 LuMon™ Belts (sizes 30, 35, 40, 47)
1ST100-N03	EIT Starter Set N3	1 NeoContactAgent Kit 3 LuMon™ Belts (selectable sizes)

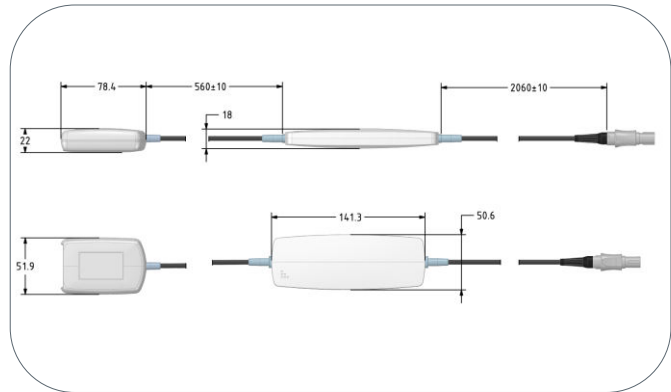
Note:

- For details on contained items see corresponding products / part numbers.

LuMon™ Connector

PART NUMBER: "1ST110-100"

12 |



CONNECTOR CABLE TO LINK LUMON™ BELTS TO LUMON™ MONITORS WITH NEONATES / INFANTS CONFIGURATION

Just a connector cable, but with plenty of cutting-edge technology inside

- Reusable
- Physical characteristics:
 - Weight: approximately 200 g
 - Length of cable approximately 2.5 m

Part Number

Product

Content

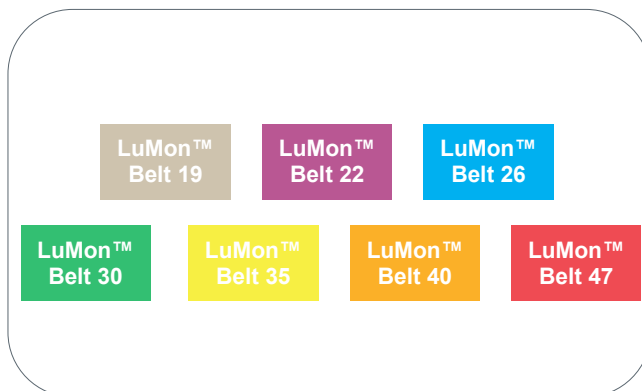
1ST110-100

LuMon™ Connector

1 LuMon™ Connector

LuMon™ Belts

PART NUMBERS: "1ST262-100", "1ST263-100", "1ST264-100", "1ST265-100", "1ST266-100", "1ST267-100", "1ST268-100"



| 13

PATENTED, TEXTILE EIT BELTS FOR NEONATES / INFANTS

EIT belts with adhesive-free, textile belt / skin interface for the smallest patients whose skin require particular attention. Its extensible closure band ensures a tight fit between belt and patient without restricting patient breathing, which would be particularly undesirable in patients suffering from respiratory insufficiency.

- Gentle, adhesive-free belt / skin interface
- Easy to use
- Available in seven different sizes
- For single patient use (can be used up to 72 hours)
- Non-sterile
- 32 electrodes

Part Number	Product (content)	Underbust girth (cm)
1ST262-100	LuMon™ Belt 19 (1 belt)	17.0-20.5
1ST263-100	LuMon™ Belt 22 (1 belt)	20.5-24.0
1ST264-100	LuMon™ Belt 26 (1 belt)	24.0-28.0
1ST265-100	LuMon™ Belt 30 (1 belt)	28.0-32.5
1ST266-100	LuMon™ Belt 35 (1 belt)	32.5-37.5
1ST267-100	LuMon™ Belt 40 (1 belt)	37.5-43.5
1ST268-100	LuMon™ Belt 47 (1 belt)	43.5-52.0

NeoContactAgent Kit

PART NUMBER: "1ST232-100"

14 |



CONTACT MEDIUM FOR TEXTILE EIT BELTS

The NeoContactAgent serves as a medium for impedance coupling between SenTec's textile EIT belts and the patient's skin.

- Recommended for neonates & infants
- To be used on intact skin only
- Skin friendly & easy to apply
- Can be used for up to 30 consecutive days
- Non-sterile
- Spray bottle content: 25 ml

Part Number

Product

Content

1ST232-100

NeoContactAgent Kit

6 spray bottles
6 measurement tapes

Documents for the LuMon™ System

PART NUMBERS: “2ST200-1XX”, “2ST200-1XX”, “2ST200-199”

Part Number	Product	Content
2ST200-1xx	Quick Reference Guide for the LuMon™ System	1 hard copy of the Quick Reference Guide for the LuMon™ System. Covers the key information necessary to operate the LuMon™ System’s adults / children configuration as well as the neonates / infants configuration. Contact us for availability of languages.
2ST200-1XX	User’s Guide for the LuMon™ System	1 hard copy of the User’s Guide for the LuMon™ System Covers the aspects of the LuMon™ System’s adults / children configuration as well as the neonates / infants configuration. Contact us for availability of languages.
2ST200-199	Service Manual for the LuMon™ System	1 hard copy of the Service Manual for the LuMon™ Module Covers preventive / routine maintenance procedures and functionality tests for the entire LuMon™ System. Available in English only.

15

Trolley for the LuMon™ Monitor

PART NUMBER: “200240-110”



TROLLEY FOR THE LUMON™ MONITOR

With integrated basket and handle

- Mobile mounting option for your LuMon™ Monitor
- With locking castors
- Durable & lightweight
- Smooth maneuverability, ease of cleaning
- The robust construction makes it a favorite among nursing staff
- Fulfills the safety and tip stability requirements of EN 60601-1, 3rd Edition

Carry Bag for the LuMon™ System

PART NUMBER: "200240-200"

16 |



CARRY BAG FOR THE LUMON™ SYSTEM

- Stylish yet sturdy and durable carry bag
- Specifically designed compartments for
 - one LuMon™ Monitor
 - one belt connector
 - at least one EIT belt
 - at least one contact medium spray can / bottle
 - one EIT Advanced Interface Set
 - documents
- General characteristics
 - Size: 440 x 220 x 220 mm
 - Weight: 1.5 kg

EIT Advanced Interface Set

PART NUMBER: "1ST702-100"



EIT ADVANCED INTERFACE SET

Set to demonstrate, train and test both configurations of the LuMon™ System

- For training & demonstration purposes **only**

Content

- 1 EIT Advanced Interface
- 1 LuMon™ EIT Advanced Interface Adapter
- 1 AC-Adapter 12V

Spare parts

PART NUMBERS: "200120-1xx", "200240-101", "200202-107"

Part Number	Product	Content
200120-1xx	Power Cord for the LuMon™ Monitor	1 power cord, 2.5 m, for the LuMon™ Monitor
200240-101	LuMon™ VESA Screw Set	Contact us for availability of country-specific power cords 4 screws to mount the LuMon™ Monitor on VESA 75x75 mounts (e.g. wall mounts)
200202-107	Fuse for the LuMon™ Monitor	1 fuse for the LuMon™ Monitor

PLEASE CONTACT US IF YOU
HAVE ANY QUESTIONS!

SenTec uses reasonable efforts to report information accurately and comprehensively in the Product Catalogue. SenTec assumes no liability or responsibility for any errors or omissions in the content of the Product Catalogue, including the accuracy, completeness, timeliness, reliability or availability of any information you receive as a result of your use of the Product Catalogue. Statements in the Product Catalogue may depend on the respective Software- and /or Hardware version of the products.

This document and all statements and specifications therein are subject to change without notice.



SenTec AG · EIT Branch
 Schulstrasse 1 · CH-7302 Landquart
 Phone: +41(0)81 330 09 70 Fax · +41(0)81 330 09 71

Info-eit@sentec.com
www.sentec.com

sentec
 Advancing Noninvasive
 Patient Monitoring