

Product Catalogue

LUMON™ OEM SYSTEM

COMPACT & LIGHTWEIGHT
ELECTRICAL IMPEDANCE TOMOGRAPHY (EIT)
SYSTEM



sentec
Advancing Noninvasive
Patient Monitoring

WELCOME

CONTENT

LUMon™ OEM SYSTEM - OVERVIEW	4
OEM EIT MODULE	5
LUMon™ MODULE	6
DISPOSABLES FOR THE LUMON™ OEM SYSTEM FOR ADULTS / CHILDREN (LMOS-A)	
EIT STARTER SETS FOR ADULTS / CHILDREN	7
SENSORBELTCONNECTOR	8
SENSORBELTS.....	9
CONTACTAGENT KITS	10
DISPOSABLES FOR THE LUMON™ OEM SYSTEM FOR NEONATES / INFANTS (LMOS-N)	
EIT STARTER SETS FOR NEONATES / INFANTS	11
LUMon™ CONNECTOR	12
LUMon™ BELTS.....	13
NEOCONTACTAGENT KIT	14
MANUALS	
DOCUMENTS FOR THE LUMON™ SYSTEM	15
ACCESSORIES	
EIT ADVANCED INTERFACE SET.....	15
LUMon™ MODULE MOUNTING ADAPTERS	16
KEY SPARE PARTS	
SPARE PARTS	16

LuMon™ OEM System - Overview

4 |

SenTec's LuMon™ OEM System (LMOS) is a compact and lightweight Electrical Impedance Tomography (EIT) system providing noninvasive monitoring of patient respiration as well as of variations of regional air content within a cross-section of the patient's lungs.

The **Adults / Children configuration** of the LuMon™ OEM System (LMOS-A) is intended for patients, whose underbust girth is within approximately 76 to 128 cm.

The LMOS-A comprises:

- Integration-ready OEM EIT Modules
- External LuMon™ Modules
- SensorBeltConnectors to link SenTec's patented, textile SensorBelts being available in four sizes to either OEM customer products integrating OEM EIT Modules or external LuMon™ Modules being interfaced with an OEM customer product
- SenTec's ContactAgent serving as a medium for impedance coupling between a SensorBelt and the patient's skin.

For additional information please refer to the Specification Sheet for the LuMon™ OEM System's Adults / Children configuration (2ST400-113).

The **Neonates / Infants configuration** of the LuMon™ OEM System (LMOS-N) is intended for patients, whose underbust girth is within approximately 17 to 52 cm.

The LMOS-N comprises:

- Integration-ready OEM EIT Modules
- External LuMon™ Modules
- LuMon™ Connectors to link SenTec's patented, textile LuMon™ Belts being available in seven sizes to either OEM customer products integrating OEM EIT Modules or external LuMon™ Modules being interfaced with an OEM customer product
- SenTec's NeoContactAgent serving as a medium for impedance coupling between a LuMon™ Belt and the patient's skin.

For additional information please refer to the Specification Sheet for the LuMon™ OEM System's Neonates / Infants configuration (2ST400-114).

SenTec EIT solutions offer flexibility in all clinical environments.

OEM EIT Module

PART NUMBERS: "100102-150", "100102-155"



OEM EIT Module (24V / 12V)

INTEGRATION-READY OEM EIT MODULE

The OEM EIT Module (also referred to as Tomographic Image Creation (TIC) Module) is the core component of SenTec EIT technology. Thanks to its compact size and low power consumption, the OEM EIT Module can be integrated into a wide range of host configurations. The OEM EIT Module is used in SenTec's LuMon™ Module and in SenTec's standalone EIT monitor called LuMon™ Monitor.

KEY SPECIFICATIONS

- **Physical characteristics:**
 - Weight: < 150 g
 - Size: 9.5 cm x 9.0 cm x 4.0 cm (3.7" x 3.5" x 1.6")
- **Interfaces:**
 - Belt connector port (isolated with 2 MOPP from the other interface ports)
 - LAN Port (100BASE-TX) – to connect the host device.
- Power consumption: max 10W

Part Number	Product	Use for
100102-150	OEM EIT Module – 24V	Adults / Children & Neonates / Infants
100102-155	OEM EIT Module – 12V	Adults / Children & Neonates / Infants

Note:

- For additional information please refer to the Specification Sheets for the LuMon™ OEM System (2ST400-113 (LMOS-A) and 2ST400-114 (LMOS-N)

LuMon™ Module

PART NUMBER: "2ST400-100"

6 |



LuMon™ Module

EXTERNAL OEM EIT MODULE

SenTec's OEM EIT Module is also available as an external module, making it easier than ever to implement SenTec EIT with existing medical devices such as patient ventilators.

KEY SPECIFICATIONS

- **Physical characteristics:**
 - Weight: < 1 kg
 - Size: 18.3 cm x 12.6 cm x 7.4 cm (7.2" x 5.0" x 2.9")
 - Various LuMon™ Module Mounting Adapters for wall railings, infusion stands or VESA 75x75 mounts are available
- **Interfaces:**
 - Belt connector port (isolated with 2 MOPP from the other interface ports)
 - LAN Port (100BASE-TX) – to connect the host device.

INCLUDES

- Quick Reference Guide for the LuMon™ System (country-specific language(s))
- User's Guide for the LuMon™ OEM System (country-specific language(s))
- One external Medical AC-Adapter 12V (including various mains cables with different country-specific plugs)

Part Number

2ST400-100

Product

LuMon™ Module

Use for

Adults / Children & Neonates / Infants

Note:

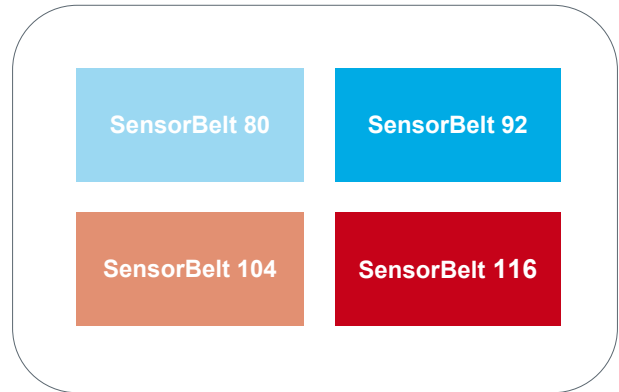
- For additional information please refer to the Specification Sheets for the LuMon™ OEM System (2ST400-113 (LMOS-A) and 2ST400-114 (LMOS-N)).

EIT Starter Sets for Adults / Children

PART NUMBERS: "1ST100-A03", "1ST100-A04", "1ST100-A05", "1ST100-A06"



ContactAgent Kit



SensorBelts

| 7

SET OF EIT DISPOSABLES FOR ADULTS & CHILDREN

Four Starter Sets are available for Adults / Children

Part Number	EIT Starter Set	Content
1ST100-A03	EIT Starter Set A3	1 ContactAgent Kit 4 SensorBelts (sizes 80, 92, 104, 116)
1ST100-A04	EIT Starter Set A4	1 ContactAgent Kit 2 SensorBelts (selectable sizes)
1ST100-A05	EIT Starter Set A5	1 ContactAgent-II Kit 4 SensorBelts (sizes 80, 92, 104, 116)
1ST100-A06	EIT Starter Set A6	1 ContactAgent-II Kit 2 SensorBelts (selectable sizes)

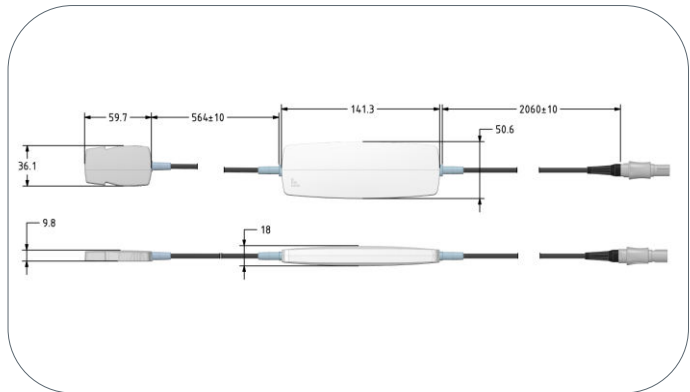
Note:

- For details on contained items see corresponding products / part numbers.
- ContactAgent Kit contains six spray cans (pressurized containers) and therefore is - according to IATA as well as ADR / SDR regulations - considered as dangerous goods. Costs related to handling of dangerous goods during shipment (in particular for airfreight) may arise.

SensorBeltConnector

PART NUMBER: "1ST101-100"

8 |



CONNECTOR CABLE TO LINK SENSORBELTS TO SENTEC EIT DEVICES¹ WITH ADULT-MODE SELECTED

Just a connector cable, but with plenty of cutting-edge technology inside

- Reusable
- Physical characteristics:
 - Weight: approximately 200 g
 - Length of cable approximately 2.5 m

Part Number

Product

Content

1ST101-100

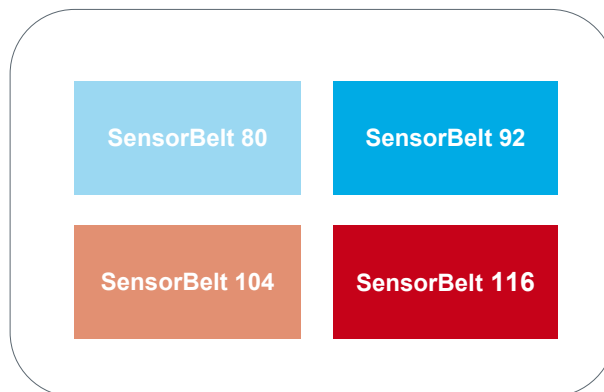
SensorBeltConnector

1 SensorBeltConnector

1) Either SenTec LuMon™ Monitors, OEM customer products integrating OEM EIT Modules or external LuMon™ Modules being interfaced with an OEM customer products

SensorBelts

PART NUMBERS: "1ST203-100", "1ST204-100", "1ST206-100", "1ST207-100"



| 9

PATENTED, TEXTILE EIT BELTS FOR ADULTS / CHILDREN

Its oblique design makes the SensorBelts follow the movement of the ribs without restricting breathing, which would be particularly undesirable in patients suffering from respiratory insufficiency.

- Gentle, adhesive-free belt / skin interface
- Easy to use
- Available in four different sizes
- For single patient use (can be used up to 72 hours)
- Non-sterile
- 32 electrodes

Part Number	Product (content)	Underbust girth (cm)
1ST203-100	SensorBelt 80 (4 belts)	76-86
1ST204-100	SensorBelt 92 (4 belts)	86-98
1ST206-100	SensorBelt 104 (4 belts)	98-112
1ST207-100	SensorBelt 116 (4 belts)	112-128

ContactAgent Kits

PART NUMBERS: "1ST224-100", "1ST226-100"

10 |



CONTACT MEDIUM FOR TEXTILE EIT BELTS

The ContactAgent serves as a medium for impedance coupling between SenTec's textile EIT belts and the patient's skin.

- Recommended for adults & children
- To be used on intact skin only
- Skin friendly & easy to apply
- Can be used for up to 30 consecutive days
- Non-sterile
- Spray can content: 100ml

Part Number	Product	Content
1ST224-100	ContactAgent Kit	6 spray cans 6 measurement tapes
1ST226-100	ContactAgent-II Kit	6 spray cans 6 measurement tapes

Note:

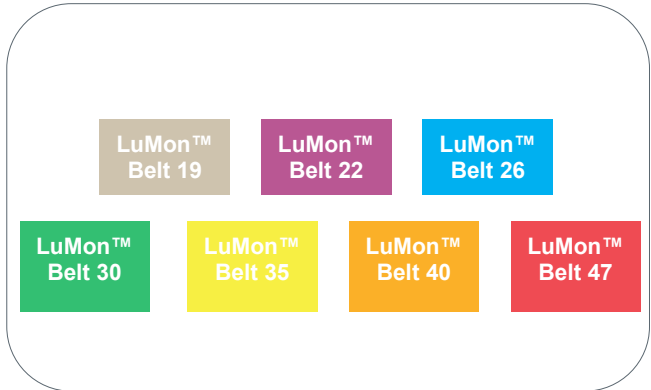
- ContactAgent Kit contains six spray cans (pressurized containers) and therefore is - according to IATA as well as ADR / SDR regulations - considered as dangerous goods. Costs related to handling of dangerous goods during shipment (in particular for airfreight) may arise.

EIT Starter Sets for Neonates / Infants

PART NUMBERS: "1ST100-N01", "1ST100-N02", "1ST100-N03"



NeoContactAgent Kit



LuMon™ Belts

SET OF EIT DISPOSABLES FOR NEONATES & INFANTS

Three Starter Sets are available for Neonates / Infants

Part Number	EIT Starter Set	Content
1ST100-N01	EIT Starter Set N1	1 NeoContactAgent Kit 4 LuMon™ Belts (sizes 19, 22, 26, 30)
1ST100-N02	EIT Starter Set N2	1 NeoContactAgent Kit 4 LuMon™ Belts (sizes 30, 35, 40, 47)
1ST100-N03	EIT Starter Set N3	1 NeoContactAgent Kit 3 LuMon™ Belts (selectable sizes)

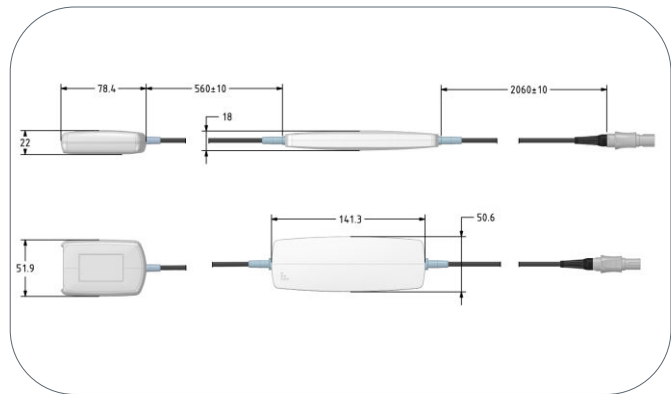
Note:

- For details on contained items see corresponding products / part numbers.

LuMon™ Connector

PART NUMBER: "1ST110-100"

12 |



CONNECTOR CABLE TO LINK LUMON™ BELTS TO SENTEC EIT DEVICES¹ WITH NEONATAL-MODE SELECTED

Just a connector cable, but with plenty of cutting-edge technology inside

- Reusable
- Physical characteristics:
 - Weight: approximately 200 g
 - Length of cable approximately 2.5 m

Part Number

Product

Content

1ST110-100

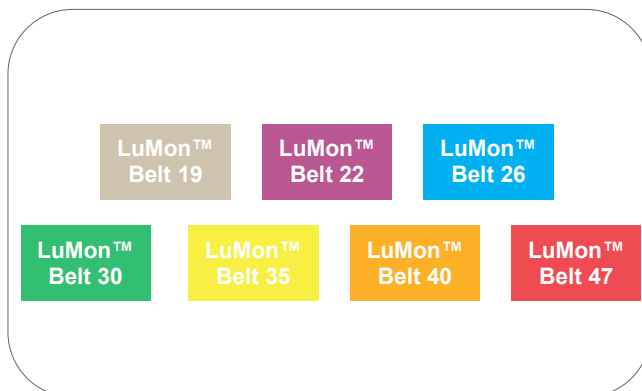
LuMon™ Connector

1 LuMon™ Connector

1) Either SenTec LuMon™ Monitors, OEM customer products integrating OEM EIT Modules or external LuMon™ Modules being interfaced with an OEM customer products

LuMon™ Belts

PART NUMBERS: "1ST262-100", "1ST263-100", "1ST264-100", "1ST265-100", "1ST266-100", "1ST267-100", "1ST268-100"



| 13

PATENTED, TEXTILE EIT BELTS FOR NEONATES / INFANTS

EIT belts with adhesive-free, textile belt / skin interface for the smallest patients whose skin require particular attention. Its extensible closure band ensures a tight fit between belt and patient without restricting patient breathing, which would be particularly undesirable in patients suffering from respiratory insufficiency.

- Gentle, adhesive-free belt / skin interface
- Easy to use
- Available in seven different sizes
- For single patient use (can be used up to 72 hours)
- Non-sterile
- 32 electrodes

Part Number	Product (content)	Underbust girth (cm)
1ST262-100	LuMon™ Belt 19 (1 belt)	17.0-20.5
1ST263-100	LuMon™ Belt 22 (1 belt)	20.5-24.0
1ST264-100	LuMon™ Belt 26 (1 belt)	24.0-28.0
1ST265-100	LuMon™ Belt 30 (1 belt)	28.0-32.5
1ST266-100	LuMon™ Belt 35 (1 belt)	32.5-37.5
1ST267-100	LuMon™ Belt 40 (1 belt)	37.5-43.5
1ST268-100	LuMon™ Belt 47 (1 belt)	43.5-52.0

NeoContactAgent Kit

PART NUMBER: "1ST232-100"

14 |



CONTACT MEDIUM FOR TEXTILE EIT BELTS

The NeoContactAgent serves as a medium for impedance coupling between SenTec's textile EIT belts and the patient's skin.

- Recommended for neonates & infants
- To be used on intact skin only
- Skin friendly & easy to apply
- Can be used for up to 30 consecutive days
- Non-sterile
- Spray bottle content: 25 ml

Part Number

Product

Content

1ST232-100

NeoContactAgent Kit

6 spray bottles
6 measurement tapes

Documents for the LuMon™ System

PART NUMBERS: “2ST400-1XX”, “2ST200-1XX”, “2ST400-199”

Part Number	Product	Content
2ST200-1xx	Quick Reference Guide for the LuMon™ System	<p>1 hard copy of the Quick Reference Guide for the LuMon™ System.</p> <p>Covers the key information necessary to operate the LuMon™ System’s adults / children configuration as well as the neonates / infants configuration.</p> <p>Contact us for availability of languages.</p>
2ST400-1xx	User’s Guide for the LuMon™ OEM System	<p>1 hard copy of the User’s Guide for the LuMon™ OEM System.</p> <p>Covers the aspects of the LuMon™ OEM System’s adults / children configuration as well as the neonates / infants configuration.</p> <p>Contact us for availability of languages.</p>
2ST400-199	Service Manual for the LuMon™ OEM System	<p>1 hard copy of the Service Manual for the LuMon™ OEM System.</p> <p>Covers preventive / routine maintenance procedures and functionality tests for the LuMon™ OEM System..</p> <p>Available in English only.</p>

15

EIT Advanced Interface Set

PART NUMBER: “1ST702-100”



EIT ADVANCED INTERFACE SET

Set to demonstrate, train and test both configurations of the LuMon™ OEM System

- For training & demonstration purposes only

Content

- 1 EIT Advanced Interface
- 1 LuMon™ EIT Advanced Interface Adapter
- 1 AC-Adapter 12V

LuMon™ Module Mounting Adapters

PART NUMBERS: “2ST403-100”, “2ST403-200”, “2ST403-300”

16 |

Part Number	Product	Content
2ST403-100	LuMon™ Module Mounting Adapter for Wall Railings	<p>1 LuMon™ Module Mounting Adapter for Wall Railings</p> <p>To mount the LuMon™ Module to wall railings with standard dimensions.</p> <p>For wall railings with following dimensions:</p> <ul style="list-style-type: none"> • Height: 25 mm to 35 mm (1" to 1.4") • Thickness: 8 mm to 10 mm (0.3" x 0.4")
2ST403-200	LuMon™ Module Mounting Adapter for VESA 75x75 Mounts	<p>1 LuMon™ Module Mounting Adapter for VESA 75x75 Mounts & 1 LuMon™ VESA Screw Set</p> <p>To mount the LuMon™ Module to 'VESA 75x75' compatible mounts.</p>
2ST403-300	LuMon™ Module Mounting Adapter for Infusion Stands & Wall Railings	<p>1 LuMon™ Module Mounting Adapter for Infusion Stands & Wall Railings</p> <p>To mount the LuMon™ Module to:</p> <ul style="list-style-type: none"> • Infusion stands or other rigid tubes or poles with diameters from 12 mm to 38 mm (0.5" to 1.5") • wall railings with standard dimension of 25mm (1") height and 10 mm (0.4") thickness.

Spare parts

PART NUMBERS: “100404-101”, “200120-1xx”

Part Number	Product	Content
100404-101	Medical AC-Adapter 12V	1 power supply for the LuMon™ Module
200120-1xx	Mains Cable for the Medical AC-Adapter 12 V	<p>1 mains cable for the Medical AC-Adapter 12V</p> <p>Contact us for availability of country specific power cords.</p>
200240-101	LuMon™ VESA Screw Set	4 screws to mount the LuMon™ Module on VESA 75x75 mounts (e.g. wall mounts)

PLEASE CONTACT US IF YOU
HAVE ANY QUESTIONS!

SenTec uses reasonable efforts to report information accurately and comprehensively in the Product Catalogue. SenTec assumes no liability or responsibility for any errors or omissions in the content of the Product Catalogue, including the accuracy, completeness, timeliness, reliability or availability of any information you receive as a result of your use of the Product Catalogue. Statements in the Product Catalogue may depend on the respective Software- and /or Hardware version of the products.

This document and all statements and specifications therein are subject to change without notice.



SenTec AG · EIT Branch
Schulstrasse 1 · CH-7302 Landquart
Phone: +41(0)81 330 09 70 Fax · +41(0)81 330 09 71

Info-eit@sentec.com
www.sentec.com

sentec
Advancing Noninvasive
Patient Monitoring